

# LYNC-715

Fanless 15" Industrial Panel PC with Intel® Atom™ Processor N2600 1.6GHz



## Features

- Fewer Cables, Fanless Design
- 15" 1024 x 768 XGA LCD Display w/ LED Backlight
- Front Bezel with Completely Covered Membrane
- Flush Front Panel, IP65-Compliant
- Brightness Control Button
- Outside-accessible Push-pull CFast Socket
- Outside-accessible USB port with rubber cover on the front bezel
- Serial Ports (RS-485), w/ Auto-flow Control
- 1 x MiniCard socket for WiFi module
- 2 x SMA Antenna Holes for optional WiFi Function
- 9~36V Wide-Range DC Input with reverse protection

## System

CPU	Intel® Atom™ Processor N2600 1.6GHz
Memory	Soldered onboard 2GB DDR3 SDRAM
Chipset	Intel® NM10
LAN	2 x Intel® 82583V GbE controllers
Watchdog Timer	1~255 levels reset

## Storage

1st Device	1 x outside-accessible CFast slot
2nd Device	1 x 2.5" drive bay

## Audio

Speaker	2 x 1.5W speakers (optional)
---------	------------------------------

## LCD Display

Size/Type	15" TFT LCD Panel
Max. Resolution	1024 x 768, XGA
Max. Colors	16.2M
Luminance	400 cd/m <sup>2</sup>
Touch Screen	5-wire Analog Resistive
View Angle (U/D/R/L)	80°/80°/80°/80°

## Button & Indicator

Function Key	Brightness up/down, Screen on/off
LED Indicator	Power on LED

## Power System

Power Input	DC 9~36V
-------------	----------

## Certification

EMC / EMI	CE, FCC Class B
-----------	-----------------

## Expansion

Expansion Bus	1 x Mini-card socket
---------------	----------------------

## External I/O

Serial Ports	4 x DB-9 connectors for COM1~4 (COM1 and COM2 are RS-232; COM3 and COM4 are RS-232/485 configurable)
USB Ports	4 x Type-A USB 2.0 ports 1 x Type-A USB 2.0 port with rubber cover on front bezel
LAN	2 x RJ-45 GbE ports
DVI	1 x DVI connector
WiFi	2 x SMA antenna holes for optional WiFi function

## Mechanical

Mounting Type	Panel Mounting and VESA-75/100 Mounting
Chassis	Panel-mounting chassis, aluminum front bezel and SECC steel chassis
Dimension (W x H x D)	389.93 x 309.93 x 46.80 mm (15.4" x 12.2" x 2.37")
Weight (Net)	3.4 kg (without VESA bracket)

## Environmental

Operating Temp.	-20 ~ 55°C (-4 ~ 131°F)
Storage Temp.	-20 ~ 70°C (-4 ~ 158°F)
Operating Humidity	10 ~ 95% RH @ 55°C (non-condensing)
Vibration	5 ~ 500Hz, 2Grms X,Y,Z axis (with CF/SSD)
Shock	Operating 20G, 11ms X,Y,Z axis (with CF/SSD)

## OS Support

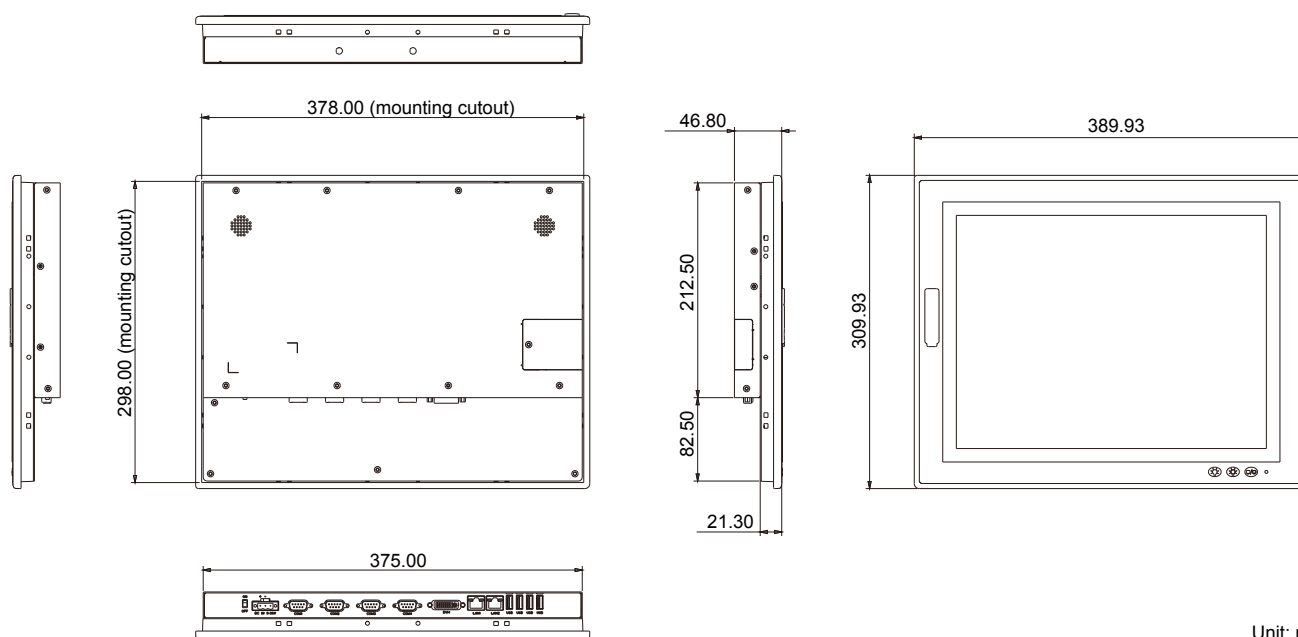
Windows XP Embedded / Windows Embedded 7  
Windows Embedded Compact 7 / Linux Kernel 2.6

## Ordering Information

LYNC-715	15" Intel® Atom™ Processor N2600 industrial panel PC
----------	------------------------------------------------------



## Dimensions



## Optional Accessories

PAC-P065W 19V/3.4A 65W AC/DC power adapter kit



VMB-715 LYNC-715 VESA-mount bracket kit, w/ 75 x 75 mm & 100 x 100 mm VESA supports



## Optional Accessories (CTOS\* Kit)

80GB SSD Intel® 2.5" 80GB SATAIII SSD kit



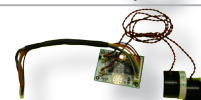
WiFi-AT2350 Atheros AR9462 WiFi module w/ 20cm & 30cm internal wiring



ANT-D11 1 x WiFi Dual-band 2.4G/5G antenna



ADK-712 LYNC-71x audio kit



\*CTOS means Configure-to-Order Service.