

TPM-3312

IP65 Protected 12" Stainless Steel Flat Panel
Industrial Touch Monitor



Features

- IP65 Protected Stainless Flat Panel Design
- High Resolution 1024 x 768
- 4-point Multi-touch Display (Default: 2)
- 7 Mohs Screen Hardness

Applications

- CNC Machines
- Embedded HMI Display System
- Factory / Manufacturing Automation
- Vending / Ticketing Machines

→ Packing List

Description
1 x TPM-3312
1 x Driver CD
1 x USB Cable
1 x VGA Cable
1 x Power Adapter
12 x Panel Mounting Screws

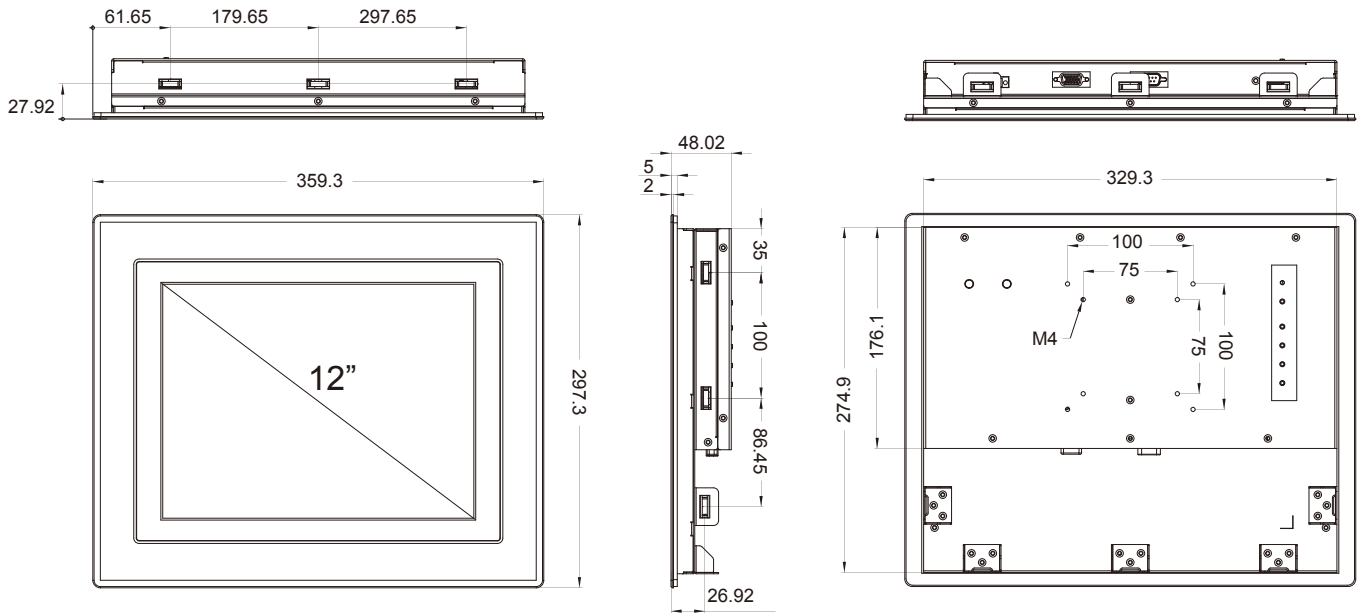
→ Optional Items

Part No.	Description
ACS-100-STD	VESA Table Stand

→ Ordering Information

Part No.	Description
TPM-3312P-A1	12.1" 1024x768, IP65 Stainless Steel Flat Panel, Projected Capacitive Industrial Touch Monitor
TPM-3312R-A1	12.1" 1024x768, IP65 Stainless Steel Flat Panel 5 Wire Resistive Industrial Touch Monitor

→ Dimensions



Cut Out: 402*335.7 mm

→ Specifications

Model		TPM-3312P	TPM-3312R
Display	Panel Size	12.1" LED LCD Panel	
	Resolution	1024 x 768 (XGA)	
	Viewing Angle	80 x 80 (H) x 80 x 80 (V)	
	Brightness	450 (cd/m ²)	
	Color Support	16.2 M / 262 K colors	
	Contrast Ratio	700:1	
	Response Time	8 (msec)	
Touchscreen	Type	Projected Capacitive	5-Wire Resistive
	Surface Hardness	7 Mohs	3 Mohs
	Durability	-	10 million touches
	Transparency	90% (±3%)	80% (±3%)
I/O Interface	Video Interface	1 VGA	
	Touch Interface	1 USB	
OSD Control	Function Keys	5 Keys: Menu, Up, Down, Auto Adjust, Monitor Power on/off Menu Functions: Brightness, Contrast, Color Adjust, Color Temp, Auto Color, Language	
Power	Power Connector	2-Pin Terminal Block, Phoenix Connector	
	Power Input	12-24 V DC input, Single Power Source	
	Power Consumption (Typical)	6.8 W	
Environment	Operating Temperature	-20~60° C (-4~140° F)	
	Storage Temperature	-30~70° C (-22~158° F)	
	Humidity	5~95% @ 40° C, Non-condensing	
	Vibration	5-500 Hz, 0.026 G ² /Hz, 2.16 Grms, X, Y, Z, 1 hour per axis	
Certification	Certification	CE, FCC Class A	
General	Ingress Protection	IP65 (Stainless steel front cover)	
	Dimensions (W x H x D)	359.3 x 297.3 x 48.02 mm (14.15" x 11.70" x 1.89")	
	Weight	3.97 kg (8.73 lb)	
	Operating System	Windows XP/7/8.1/10, WES7-E/P, WE8S, Linux Fedora, Ubuntu	