

TPM-3515

15.6" Full HD Aluminum bezel IP65 Protected Industrial Monitor with Resistive Touchscreen



Features

- 15.6" LCD Panel 1920x1080 (FHD) / 1366x768 (HD) Resolution
- IP 65 aluminum front cover protection
- Resistive touch Screen Support
- Display Port/ HDMI / VGA
- DC 12~24V Power input
- Remote Power on/off, Panel OSD Control (Option)

Applications

- Industrial HMI Display Systems
- ATM / Self-service / Kiosk Applications
- Vending / Ticketing Machines
- Point-of-information Terminals
- Factory / Machine Automation

→ Packing List

Description
1 x TPM-3515
1 x USB Cable
1 x VGA Cable
1 x Power Adapter
10 x Panel Mount Screws

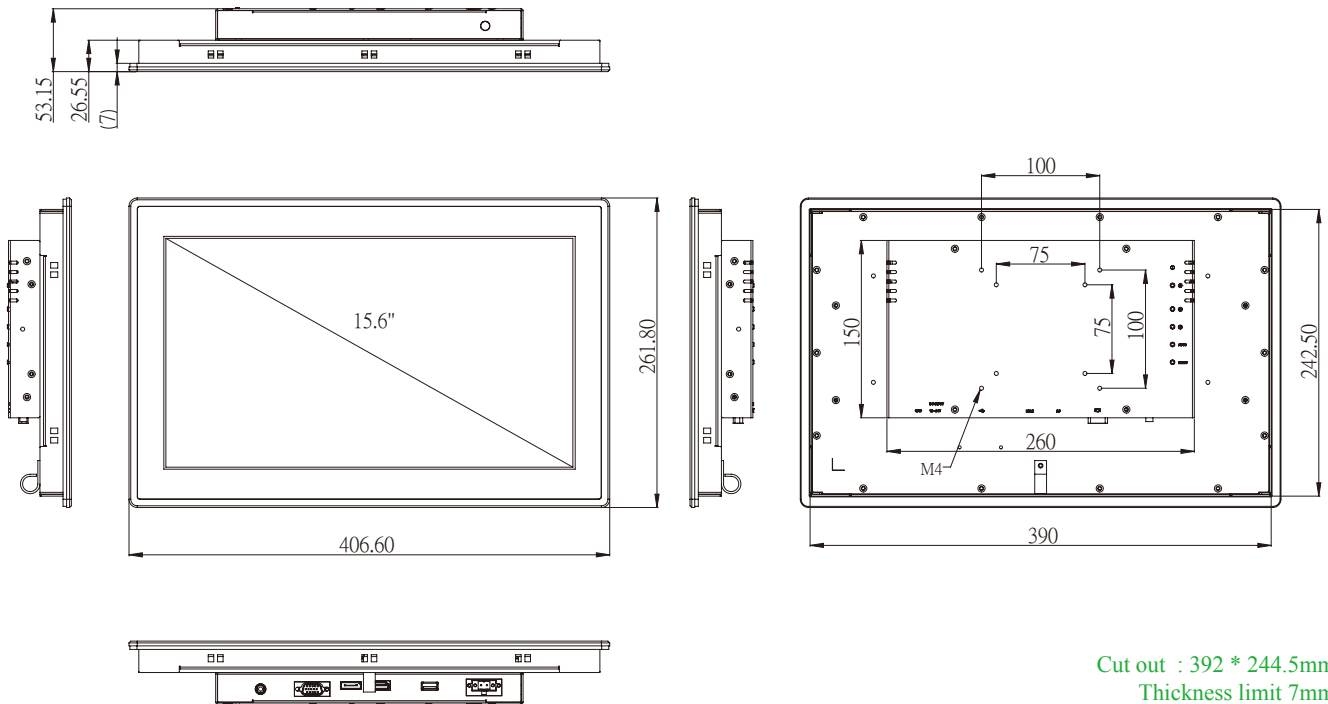
→ Optional Items

Part No.	Description
ACS-PS-US	Power Cable 3-pin, 180 cm, USA Type
ACS-PS-EU	Power Cable 3-pin, 180 cm, Euro Type
ACS-PS-CN	Power Cable 3-pin, 180 cm, China Type
ACS-100-STD	VESA Table Stand

→ Ordering Information

Part No.	Description
TPM-3212P-A2	12.1" XGA Industrial Ultra-slim Projected Capacitive Touch Display
TPM-3212R-A2	12.1" XGA Industrial Ultra-slim Resistive Touch Display

→ Dimensions



Cut out : 392 * 244.5mm
Thickness limit 7mm

→ Specifications

Model		TPM-3515R-1A1	TPM-3515R-2A1
Display	Panel Size	15.6" LCD Panel	
	Resolution	1366 x 768 (HD)	1920 x 1080 (FHD)
	Viewing Angle	85 x 85 (H), 80 x 80 (V)	70 x 70 (H), 60 x 60 (V)
	Brightness	300 (cd/m ²)	400 (cd/m ²)
	Color Support	16.2 M	
	Contrast Ratio	500:1	
	Response Time	3 (msec)	8 (msec)
Touchscreen	Type	Resistive Touch screen	
	Surface Hardness	3 Mohs	
	Transparency	80% (±3%)	
I/O Interface	Video Interface	1 VGA, 1 DP, 1 HDMI	
	Touch Interface	1 USB	
	Speaker Out	Audio Jack, with 2 W Amplifier	
OSD Control	Function Key	5 Keys: Menu, Up, Down, Auto Adjust, Monitor Power on/off Menu Functions: Brightness, Contrast, Color Adjust, Color Temp, Auto Color, Language	
Power	Power Connector	2-Pin Terminal Block	
	Power Input	12~24 V DC power input	
	Power Consumption (Typical)	1.22A @ 12V (14.7 W)	
	Power Adapter	40 W power adapter, with AC 100 ~ 240 V input and DC +12 V @ 5A MAX output	
Environment	Operating Temperature	0~60° C (32~140° F)	
	Storage Temperature	-30~70° C (-22~158° F)	
	Humidity	5~95% @ 40° C, Non-condensing	
	Vibration	5-500 Hz, 0.026 G ² /Hz, 2.16 Grms, X, Y, Z, 1 hour per axis	
General	Certification	CE, FCC Class A	
	Ingress Protection	IP65, Aluminum front Bezel	
	Dimensions (W x H x D)	406.6 x 261.8 x 53.1mm (16.01" x 10.31" x 2.09")	
	Weight	3.7kg (8.16lb)	
	Operating System	Windows XP, WES7-E, , WES7-P, WE8S, Windows 7/8.1/10	